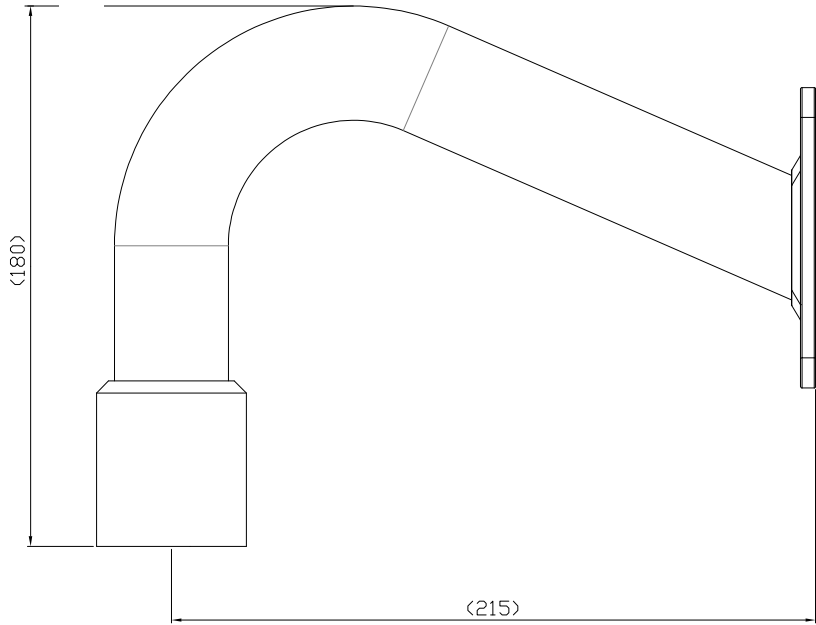
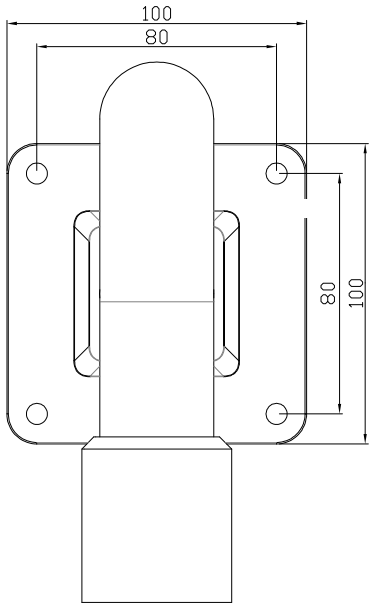


G-Cam/EBWM-005



GEUTEBRÜCK

Im Nassen 7-9 | D-53578 Windhagen | Tel. +49 (0)2645 137-0 | Fax-999
 E-mail: info@geutebrueck.com Web: www.geutebrueck.com

Product

G-Cam/EBWM-005
 Order No. 5.02080

Description

Wall mount bracket for indoor and outdoor fix domes of the G-Cam/E2-series.

Processed by

P. Lenzgen

Date

11.09.2015

Passing on and duplication of this document, utilization and communication of its contents are not permitted, unless conceded. Violation obliges to compensation. All rights reserved.